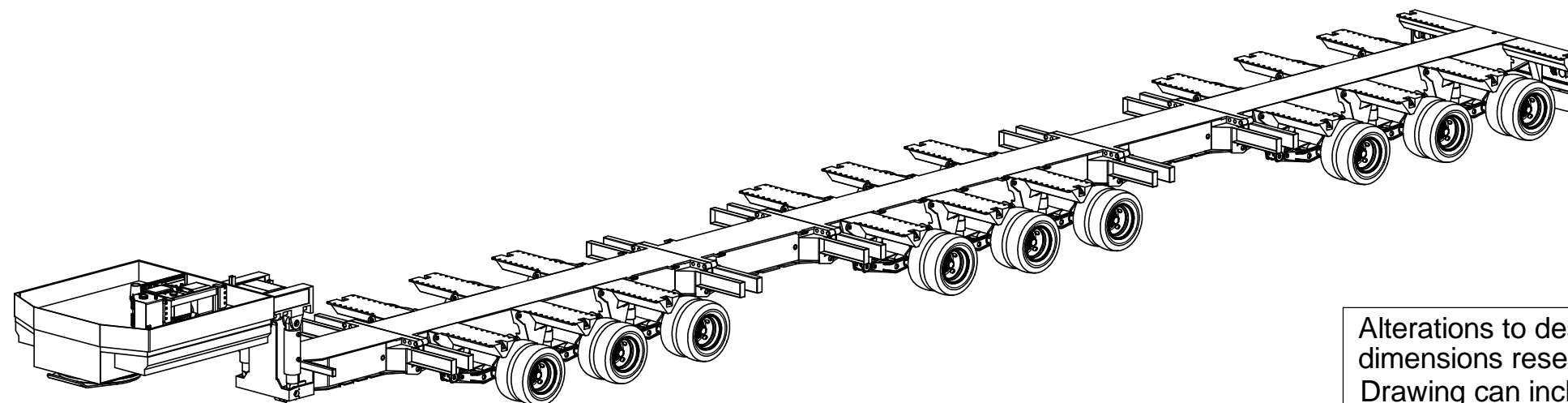
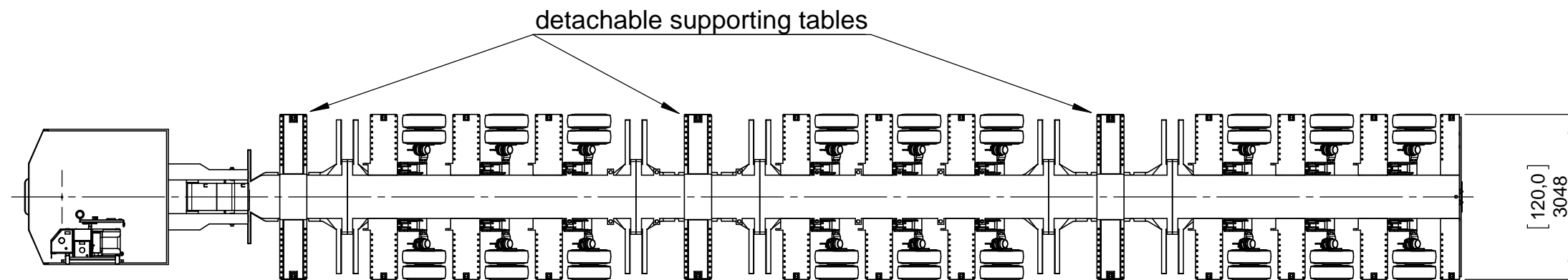
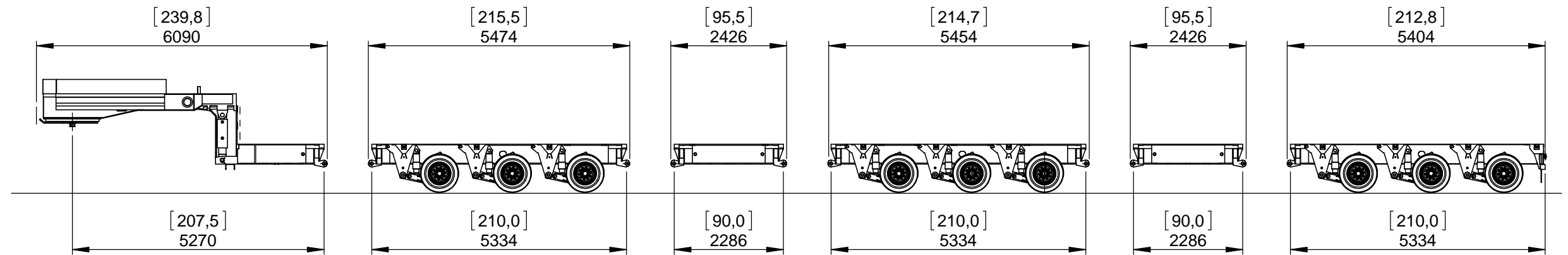


Alterations to design and dimensions reserved!
Drawing can include options!

This drawing remains the property of Scheuerle. It is entrusted to the receiver for the specified use only. It may not be reproduced nor made accessible to third persons without written permission.
SCHUEERLE-FAHRZEUGFABRIK GMBH

Copyright: DIN 34 / ISO 16016	scale 1:100		SCHUEERLE FAHRZEUGFABRIK GmbH Postfach 20 D-74627 Pfedelbach	Highway Trailer 10.0 MES Semi-Trailer 9 axle			
	desig.	19.11.2015		Gebert	64205570-P	version	sh. 1
	inspe.	20.01.2016		Kern		0	2 sh.
	source:						



Alterations to design and dimensions reserved!
Drawing can include options!

This drawing remains the property of Scheuerle. It is entrusted to the receiver for the specified use only. It may not be reproduced nor made accessible to third persons without written permission.


SCHEUERLE-FAHRZEUGFABRIK GMBH

Highway Trailer 10.0 MES
Semi-Trailer 9 axle

64205570-P

version	sh. 2
0	2 sh.

Copyright: DIN 34 / ISO 16016

scale	1:100		 FAHRZEUGFABRIK GmbH Postfach 20 D-74627 Pfedelbach
date	name		
desig.	19.11.2015	Gebert	
inspe.	20.01.2016	Kern	

source: